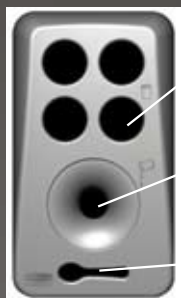




Slim Jim Cup'n Stack

MORE EFFICIENT CUP DISPOSAL

- Cleaner
- Easier to use
- Faster to empty



4 holes dedicated to cups

Hole dedicated to liquid

Hole dedicated to spoons and stirrers.

Slim Jim Cup'n Stack

BEFORE

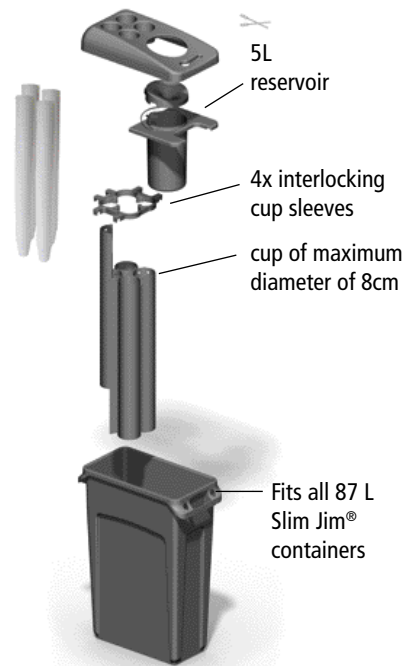


- Dirty
- Overfilling
- Splashing - Spilling

AFTER

Cup'n Stack

Lid with stacking system and reservoir for leftover liquid.



Attractive and Easy to use



Easier to use

- Pictograms communicate what goes where inside
- Slanted towards user
- Funnel shape and texture minimize splashing

Save time and Money



Cleaner

- Minimal texture and large radii for easy cleanability
- Reservoir with Funnel top to avoid splashing and cups from going into the reservoir
- Cup stacking system can be split for internal cleaning
- Reservoir and stacking system reduce spillages inside bin.

Faster to empty

- Lifting of the stacking system to empty. Cups remain in the polyliner bag
- Reservoir :
 - Handling point on bottom for good grip
 - Bail to transport the reservoir easily
- Less frequent emptying : holds 6x more than conventional bin.

Slim Jim container



Venting Channels
Reduce the pull force required to lift out full can liners.



The Cup'n Stack fits the innovative Slim Jim container with vented channels.



Base grips
Moulded base grips offer better control during emptying. Moulder-in drag rim on the bottom of the container provides added durability.



Can liner cinches
Four pull-through holes and can liner cinches eliminate knot tying. New moulded-in handles make lifting and emptying easier.

Ref	Description	Material	Dimensions	Colour	Pack
2705	Slim Jim® Cup'n Stack	Polyethylene	52 x 30 x 10 cm	Black	1
3540-60	Slim Jim® with venting channels	Polyethylene	55.9 x 27.9 x 76.2 cm	Grey / Black / Beige	4
3540-07	Slim Jim® with venting channels	Polyethylene	55.9 x 27.9 x 76.2 cm	Green / Blue	4

A **NewellRubbermaid** Company

Rubbermaid® Commercial Products
7, rue Guillaume J.Kroll
L-1882 Luxembourg

Company

www.rubbermaid.eu
Work Smarter.

